

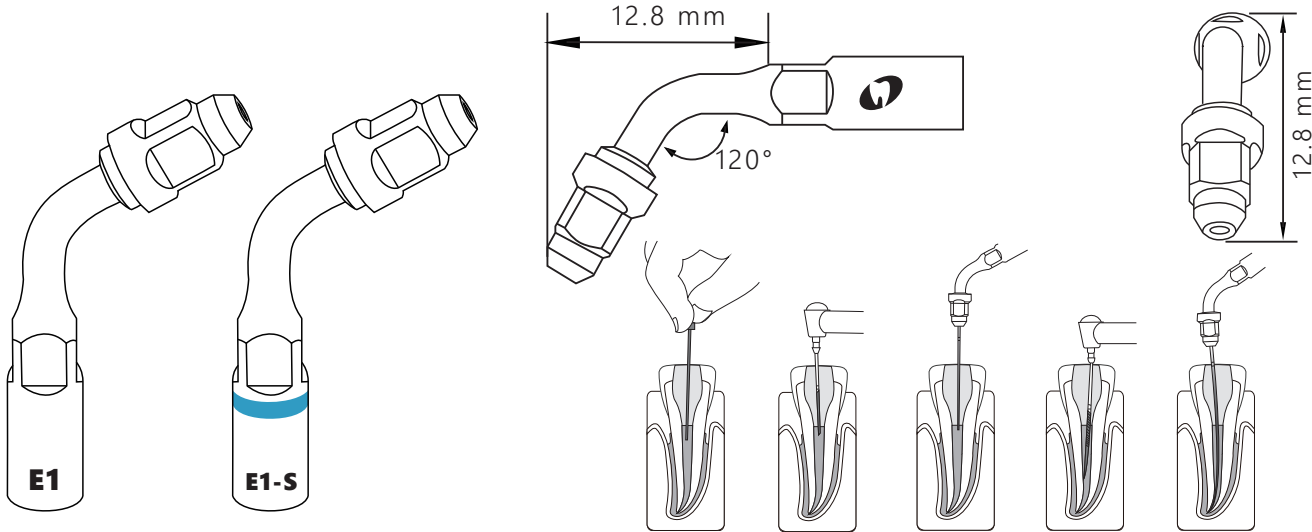
EMS® E1

Satelec® E1-S

Order Code 6680537

Order Code 6680656

Function Description: 120° angle holder for 0.7mm-0.8mm endo file for root canal cleaning



Mode: E
Power: 1-3



Recommended
Service Life
500 times



Water Flow Rate
mid&high