

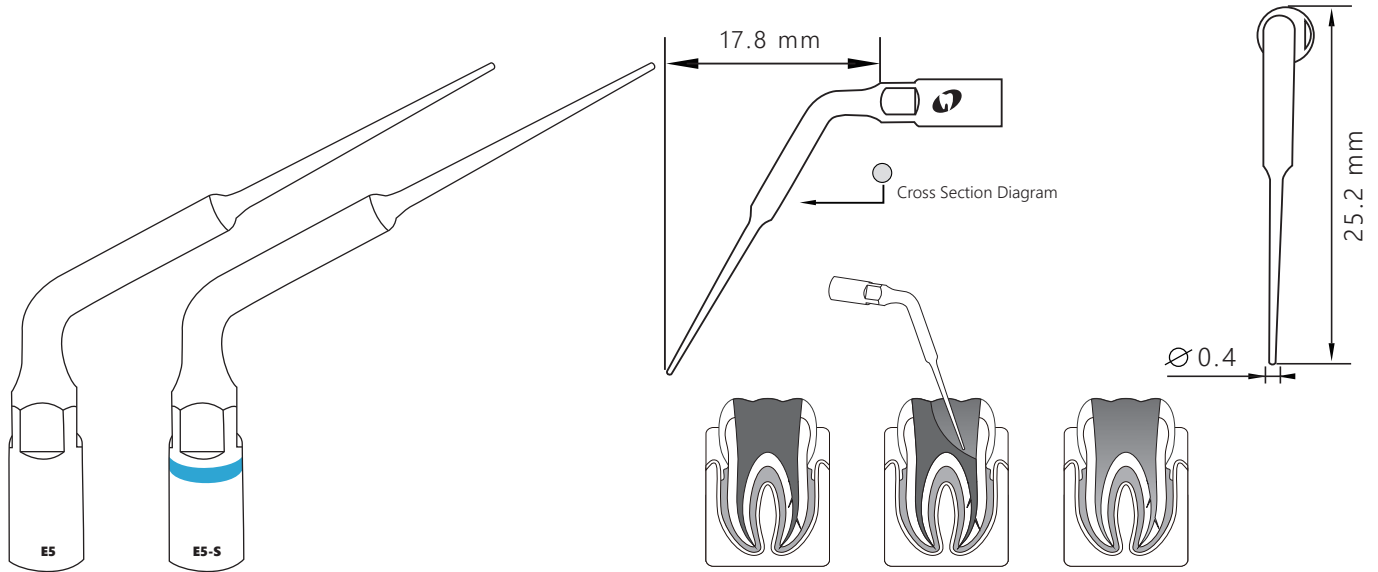
EMS® E5

Satelec® E5-S

Order Code 6680540

Order Code 6680659

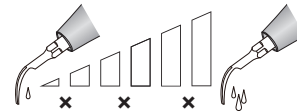
Function Description: Removal of foreign filling material during re-treatment



Mode: E
Power: 1-6



Recommended
Service Life
100 root canals



Water Flow Rate
No water