

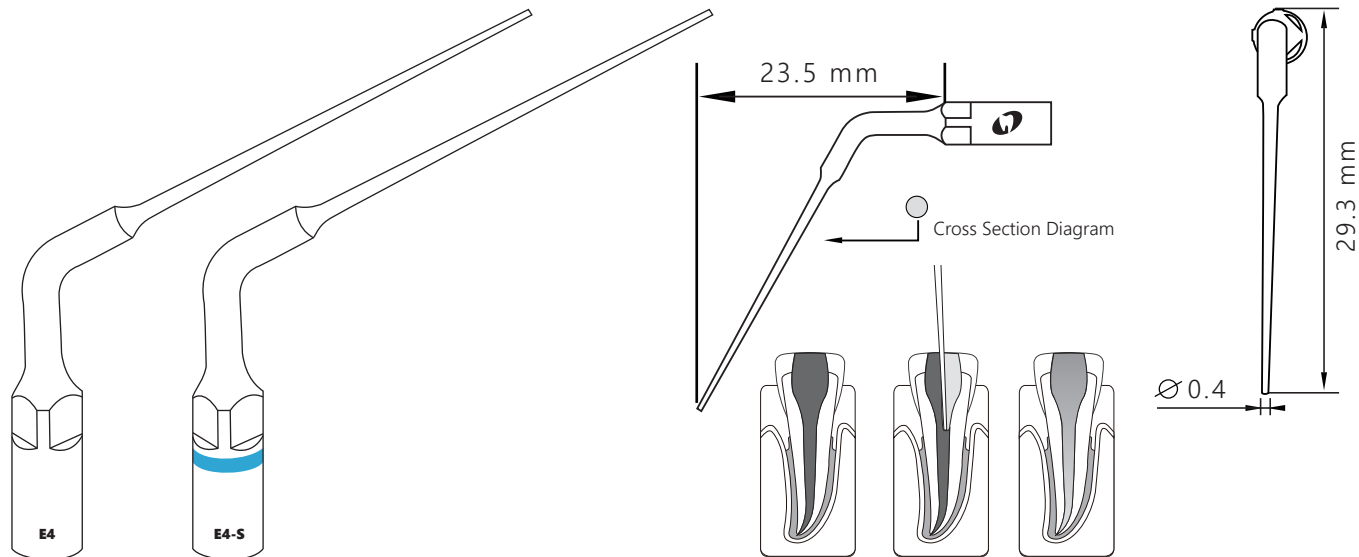
EMS® E4

Order Code 6680539

Satelec® E4-S

Order Code 6680658

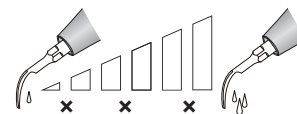
Function Description: Removal of foreign filling material during re-treatment



Mode: E  
Power: 1-6



Recommended  
Service Life  
100 root canals



Water Flow Rate  
No water