

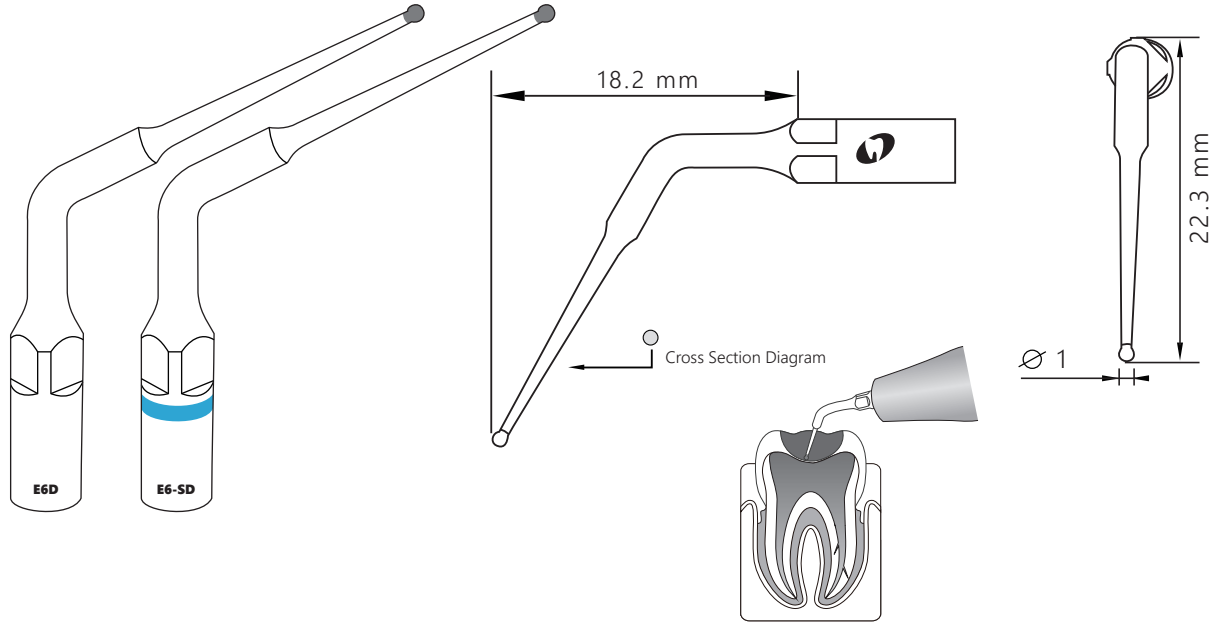
EMS® E6D

Satelec® E6-SD

Order Code **6680632**

Order Code **6680641**

Function Description: Removal of foreign material in cavity to access canal orifice



Mode: E
Power: 1-10



Recommended
Service Life
50 root canals



Water Flow Rate
mid&high